

MAS 133

Inline Switch box

FEATURES

- Inline switch box for integrated mic solutions
- Easy microphone activation
- Switchable microphone modes (PTT, PTM, toggle on/off, permanent on)
- TTL Logic out for media control
- Made in Germany

The **MAS 133** is a versatile XLR inline switch box for integrated microphone solutions. Attached between the mic and mixing console, it powers the MAS 1 microphone button. It is able to control any XLR-connected microphone using switchable microphone modes (PTT, PTM, toggle on/off, permanent on). Furthermore, the MAS 133 features a TTL logic, enabling the user to trigger e.g. camera or media control systems for various purposes.





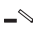
ARCHITECT'S SPECIFICATIONS

The inline switch box shall be designed for use in integrated microphone solutions. When connected to the MAS 1 microphone button, the inline switch box shall be capable of controlling any XLR-connected microphone by means of four programmable microphone modes (Toggle on/off, PTM, PTT and permanent on).

The inline switch box shall feature an XLR-3F microphone input, an XLR-3M microphone output and an XLR-5F input for the connection of external switches. In addition, the inline switch box shall provide a TTL logic output. The logic output voltage shall be high level > 2.4 and low level < 0.4 V.

The inline switch box shall operate on 48 V phantom power. Current consumption shall be 4.5 mA. Dimensions shall be 150 x 44 x 44 mm (5.91" x 1.73" x 1.73"). Weight shall be 212 grams (7.48 oz). Operating temperature shall range from -10 °C to +50 °C (+14 °F to +122 °F). The inline switch box shall be the Sennheiser MAS 133.

TECHNICAL DATA

Phantom power.....	P 48
Current consumption	4.5 mA
Connectors.....	Mic In – XLR-3F Mic Out – XLR-3M Switch In – XLR-5F
Pin assignment XLR-3M out.....	1 = gnd 2 = + 3 = -
Pin assignment XLR-5F in	1 = gnd 2 = Switch 3 = LED red – 4 = LED green – 5 = LEDs + 12 V out
Microphone modes	Toggle on/off Push to mute Push to talk permanent on
Connection.....	clip contact
Pin assignment logic connector.....	trigger signal at the logic connector:  Mic (on/off)  GND  Switch (on/off)
Logic out.....	high level output voltage > 2.4 V low level output voltage < 0.4 V

Continued on page 2

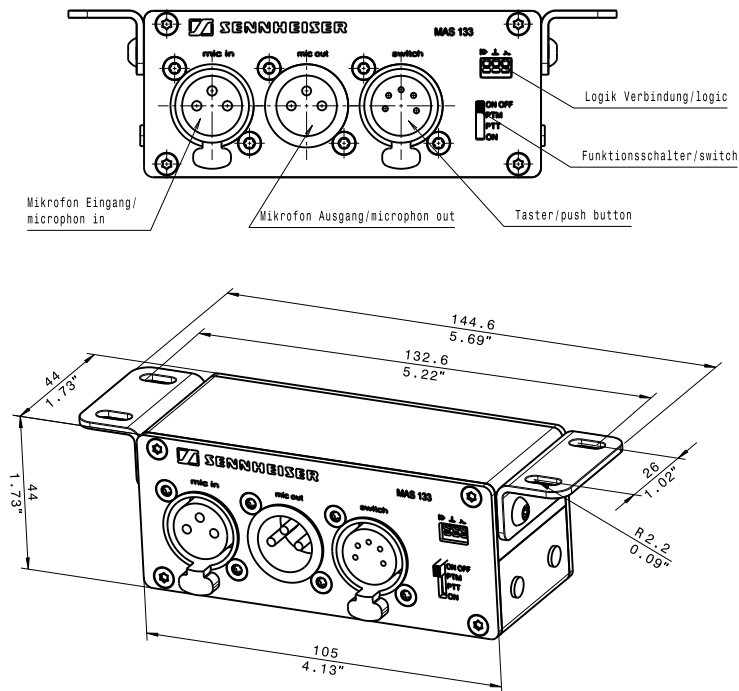
MAS 133 Inline Switch box

TECHNICAL DATA

Weight212 g
 Dimensions (WxDxH)150 x 44 x 44 mm
 Operating temperature-10 ° ... +50 °C

DELIVERY INCLUDES
 MAS 133
 Mounting material
 Leaflet

DIMENSIONS



PRODUCT VARIANTS

MAS 133 Inline switch box

Cat. No. 505621

MEG 14-40 B Gooseneck mic

Cat. No. 504791

MEB 102 black Installation boundary mic

Cat. No. 505600

MEB 102 white

Cat. No. 505601

MEB 102 grey

Cat. No. 505602

MEB 104 black Installation boundary mic

Cat. No. 505606

MEB 104 white

Cat. No. 505607

MEB 104 grey

Cat. No. 505608

RECOMMENDED ACCESSORIES

MAS 1 black Microphone button

Cat. No. 505618

MAS 1 white

Cat. No. 505619

MAS 1 grey

Cat. No. 505620

Contact your local Service Partner:

Sennheiser electronic GmbH & Co. KG
 Am Labor 1, 30900 Wedemark, Germany
www.sennheiser.com

