

MAS 1

Microphone button

FEATURES

- Rugged microphone button
- Unobtrusive and timeless design
- Bi-color status indication
- Made in Germany

Elegant and low-key in its appearance, the sturdy **MAS 1** microphone button makes mic control a breeze. Connected to the MAS 133 inline switch box it can control any XLR-connected microphone by means of programmable microphone activation modes (PTT, PTM, toggle ON/off, permanent on). For clear status indication the MAS 1 comes with a bi-color status indicator.



ARCHITECT'S SPECIFICATIONS

The sturdy microphone button shall be designed for connection to the Sennheiser MAS 133 inline switch box or other logic enabled devices. A bi-color LED ring shall be provided for status indication. The microphone button shall have an XLR-5M connector and an M20 thread.

The microphone button shall operate on 12 V phantom power, current consumption shall be 1.5 mA max. The levels for LED activation shall be 12 V, current consumption of the LED ring shall be 3 mA. Dimensions shall be 28.5 mm (1.12") in diameter and 81 mm (3.19") in total height. The installation height shall be 8 mm (0.31"). Weight shall be 60 grams (2.15 oz). Operating temperature shall range from -10 °C to +50 °C (+14 °F to +122 °F). The microphone button shall be the Sennheiser MAS 1.

TECHNICAL DATA

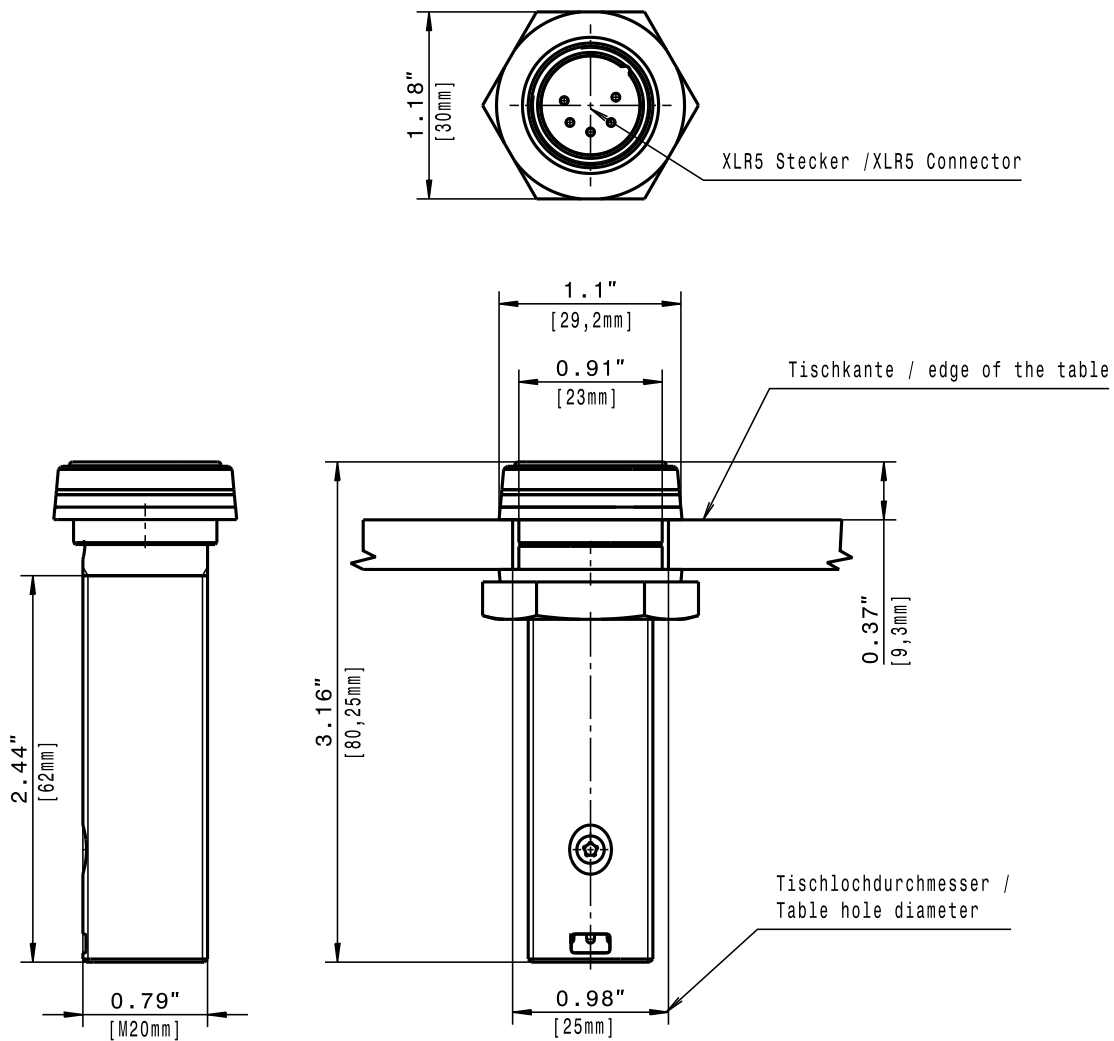
Phantom power.....	12 V (1.5 mA max.)
Connector.....	XLR-5M
Pin assignment XLR-5M out.....	1 = gnd 2 = Switch 3 = LED red - 4 = LED green - 5 = LEDs +12 V in
LED light ring color.....	red / green
TTL levels for LED activation.....	12 V
Current consumption LED ring.....	3 mA
Weight.....	60 g
Height.....	81 mm (8 mm above surface)
Diameter.....	28.5 mm
Thread.....	M 20
Operating temperature.....	-10 ° ... +50 °C

DELIVERY INCLUDES

MAS 1
Mounting material
Leaflet

MAS 1 Microphone button

DIMENSIONS



PRODUCT VARIANTS

MAS 1 B black
MAS 1 W white
MAS 1 G Nextel grey

Cat. No. 505618
Cat. No. 505619
Cat. No. 505620

RECOMMENDED ACCESSORIES

MAS 133 Inline Switch box

Cat. No. 505621

Contact your local Service Partner:

Sennheiser electronic GmbH & Co. KG
Am Labor 1, 30900 Wedemark, Germany
www.sennheiser.com